



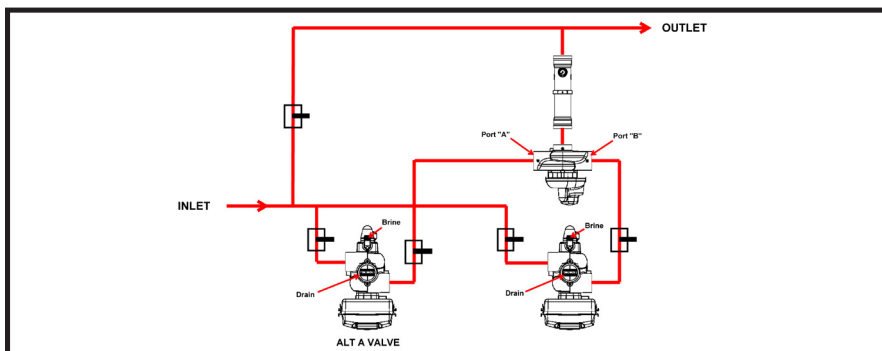
Water Specialist 3.0" NPT or BSPT Motorized Alternating Valve



Certified to NSF/ANSI 61 and 372.

Order No. V3083 • NPT
Order No. V3083BSPT • BSPT

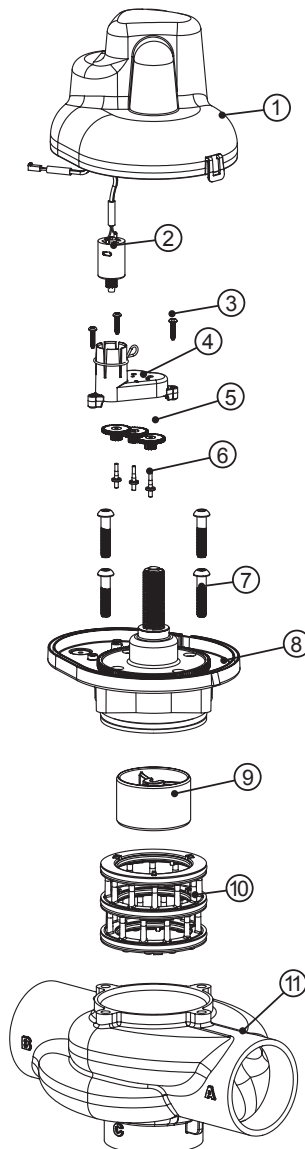
- 3" NPT and 3" BSPT
- Lead Free Brass Casting with NSF/FDA approved black coating
- Hydraulically balanced piston valve
- Allows for two WS3 Valves to be a Twin Alternating System or multiple tank system
- Full 3" ports with minimal pressure loss
- Provides for no raw water bypass during regeneration
- Provides choices of treated or non-treated water regeneration
- Proven and reliable Clack DC drive assembly
- Low voltage drive assembly controlled by valve's circuit board
- Flow from Port A to Common has a 3.1 PSI drop at 250 GPM
- Flow from Port B to Common has a 2.3 PSI drop at 250 GPM
- Flow from Port A to Port B was a 5 psi drop at 250 GPM
- Operating Pressures:
20 PSI Minimum
125 PSI Maximum
- Operating Temperatures:
40°F Minimum
110°F Maximum



EXAMPLE OF A SIMPLE TWIN ALTERNATING CONFIGURATION

Order No. V3083 • Description: MOTOR ALT VLV 3 NPT
or
Order No. V3083BSPT • Description: MOTOR ALT VLV 3 BSPT

Drawing No.	Order No.	Description	Quantity	
1	V3696	WS3 COVER ASY	1	1
2	V3476	WS MOTOR ASY 8 FT	1	1
3	V3592	SCREW #8-3/4 PHPN T-25 SS	3	3
4	V3262-01	WS1.5,2,3 REDUCGEARCVASY	1	1
5	V3110-01	WS DRIVE REDUCING GEAR PLAIN	3	3
6	V3264	WS BYPASS REDUCTION GEAR AXLE	3	3
7	V3789	SCREW 3/8-16 x 1 3/4 BHSCS SS (7/32" hex allen wrench required)	3	3
8	V3085	WS3 MAV DRIVE CAP	1	1
9	V3695-01	MAV/3" PISTON	1	1
10	V3084	MAV/STACK ASY 3"	1	1
11	V3693-01	WS3 MAV BODY NPT	1	N/A
	V3693-01BSPT	WS3 MAV BODY BSPT	N/A	1
Not Shown	V3474	WS ALT CONNECT CORD 8FT BLK	1	1



•Operating Pressures:
 20 PSI Minimum / 125 PSI Maximum
•Operating Temperatures:
 40°F Minimum / 110°F Maximum

