

METER SOFTENER

MODEL NO. NCSMF-WS2H-600-C5060

CAPACITY:

MIN. 480,000 grs. @ 10 lbs./cu.ft.
 MAX. 600,000 grs. @ 15 lbs./cu.ft.

FLOW RATE:

NORMAL 97 gpm.
 PEAK 126 gpm.
 BACKWASH 35 gpm.

TANK SIZE: 36" x 72"

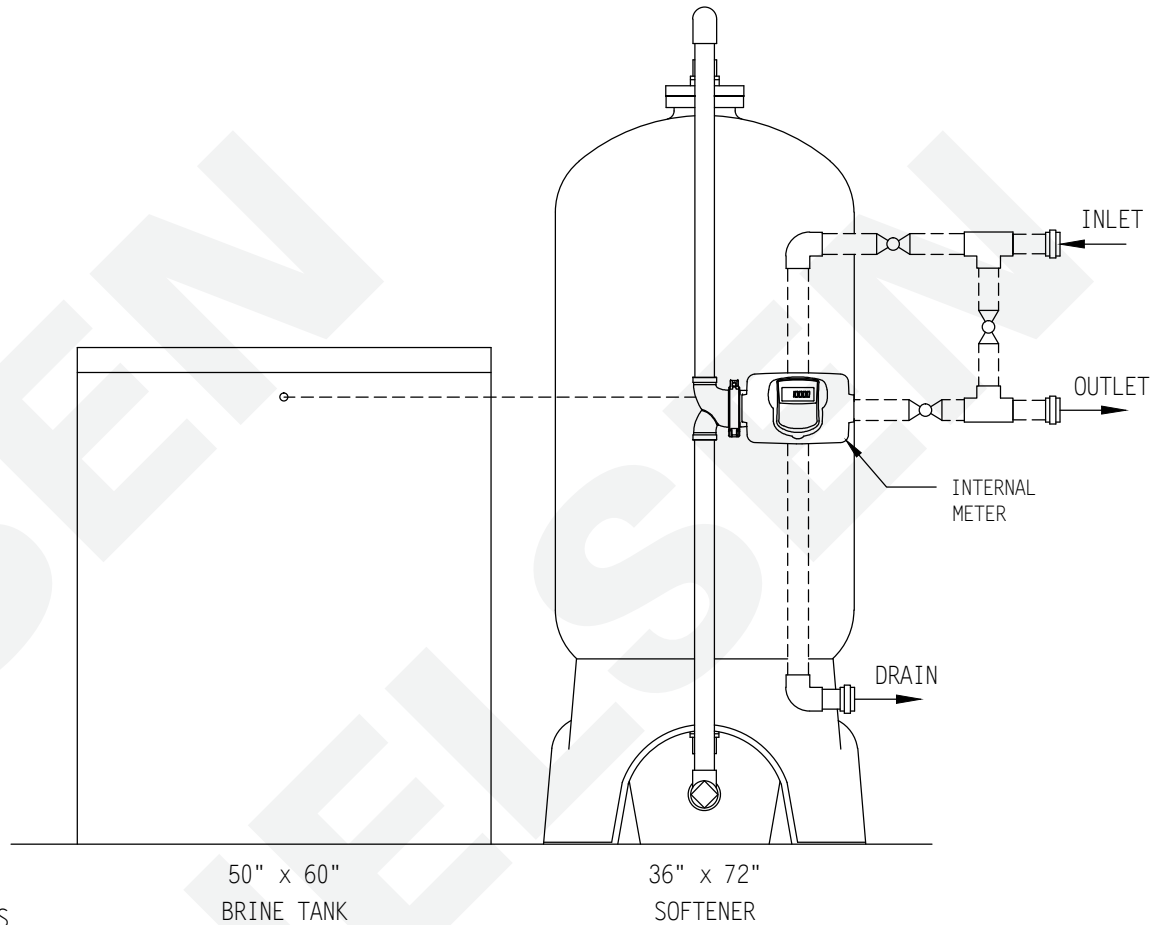
COMPOSITE

MEDIA:

RESIN 20 cu.ft.
 GRAVEL 500 lbs.

PIPE SIZE:

INLET 2"
 OUTLET 2"
 DRAIN 1"
 BRINE 1/2"
 METER 2"



BRINE TANK

MODEL NO. BT5060R-454HF-5

TANK SIZE: 50" x 60"

POLYETHYLENE

CAPACITY:

500 gals.
 4,500 lbs./salt

BRINE VALVE: 454HF

BRINE WELL: 5"

WEIGHT (APPROX)

TOTAL SHIPPING 1,995 lbs.

NOTE:

ALL DASHED PIPE, VALVES,
 AND FITTINGS NOT PROVIDED
 BY NELSEN CORPORATION.

SPACE REQUIRED (APPROX)

90"L x 50"W x 98"H

PEAK FLOWS ARE NOT
 RECOMMENDED FOR EXTENDED
 PERIODS OF TIME.

DO NOT SCALE DRAWING

THIS DRAWING IS ISSUED IN CONFIDENCE AND CANNOT BE REPRODUCED OR USED TO MANUFACTURE ANYTHING SHOWN OR REFERRED TO WITHOUT DIRECT WRITTEN PERMISSION FROM NELSEN CORPORATION.

		NELSEN CORPORATION OHIO • ARIZONA • TEXAS • FLORIDA 3250 BARBER RD - NORTON, OH 44203 800-362-9686 NELSENCORP.COM/COMMERCIAL	
		GENERAL ARRANGEMENT DWG. SOFTENER 600K COMPOSITE TANK SIMPLEX METER SYSTEM	
DRAWN BY: RAR DATE: 04-04-17 CHECKED BY: PAGE 1 OF 1	REV:	DWG. NO. NCSMF-WS2H-600-C5060	