

4

3

2

1

METER SOFTENER

MODEL NO. NCSMF-WS3-900-C5060

CAPACITY:

MIN. 720,000 grs. @ 10 lbs. / cu. ft.
MAX. 900,000 grs. @ 15 lbs. / cu. ft.

FLOW RATE:

NORMAL 190 gpm.
PEAK 244 gpm
BACKWASH 50 gpm.

TANK SIZE: 42" x 72"

COMPOSITE

MEDIA:

RESIN 30 cu.ft.
GRAVEL 700 lbs.

PIPE SIZE: PVC

INLET: 3"
OUTLET: 3"
VALVE: 3"
DRAIN: 1-1/2"
BRINE: 1"
METER: 3"

BRINE TANK

MODEL NUMBER: BT5060R-494-5

TANK SIZE: 50" x 60"

POLYETHYLENE

CAPACITY

500 gals.
4,500 lbs./salt

BRINE VALVE: 494

BRINE WELL: 5"

WEIGHT (APPROX)

TOTAL SHIPPING: 3,100 lbs.

TOTAL SPACE REQUIRED (APPROX)

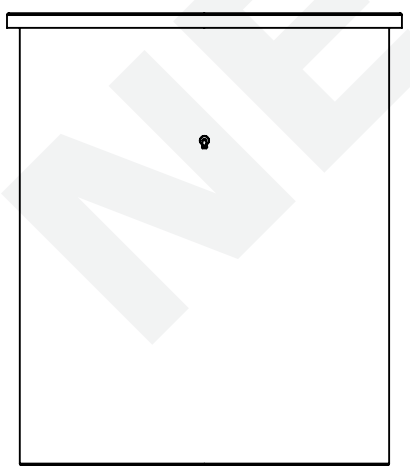
96"L x 50"W x 102"H

B

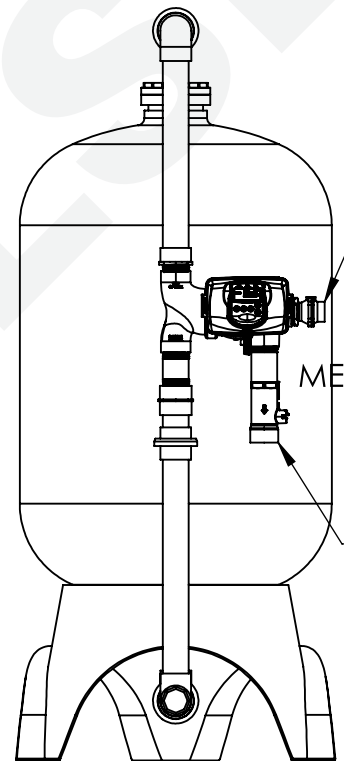
B

A

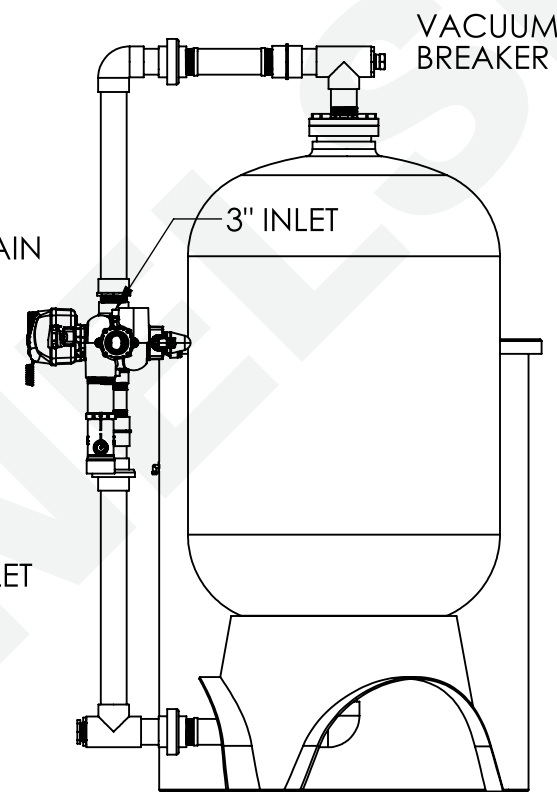
A



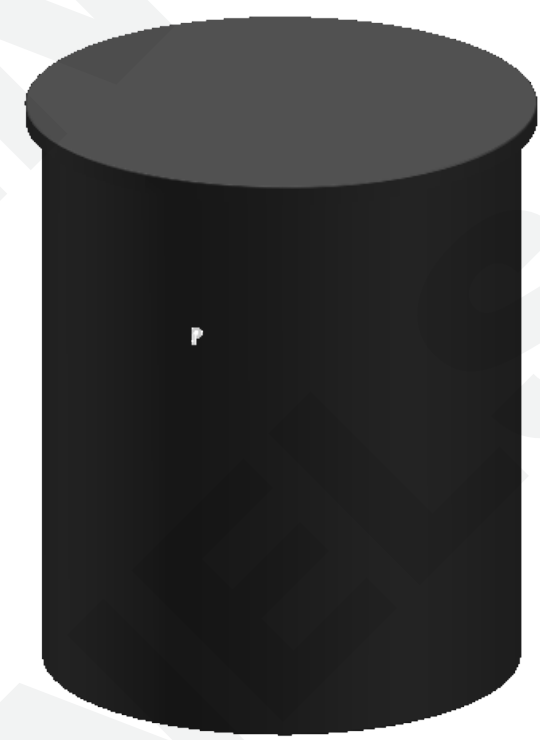
50" x 60"
BRINE TANK



36" x 72"
SOFTENER



(SIDE VIEW)



NOTE:
PEAK FLOWS ARE NOT RECOMENDED FOR EXTENDED PERIODS OF TIME.
ALL DASHED PIPE, VALVES, AND FITTINGS NOT PROVIDED BY NELSEN CORPORATION



NELSEN CORPORATION
OHIO • ARIZONA • TEXAS • FLORIDA
3250 BARBER RD - NORTON, OH 44203
800-362-9686
NelsenWaterSolutions.com

DO NOT SCALE DRAWING

UNLESS OTHERWISE SPECIFIED:
DIMENSIONS ARE IN INCHES
PART DIMENSIONS ARE +/- 1/32"
ASSEMBLY DIMENSIONS ARE APPROXIMATE

PROPRIETARY AND CONFIDENTIAL
THE INFORMATION CONTAINED IN
THIS DRAWING IS THE SOLE PROPERTY
OF NELSEN CORPORATION INC. ANY
REPRODUCTION IN PART OR AS A
WHOLE WITHOUT THE WRITTEN
PERMISSION OF NELSEN CORP. IS
PROHIBITED.

TITLE: GENERAL ARRANGEMENT DRAWING
SOFTENER 900K FIBERGLASS TANK
SIMPLEX METER SYSTEM

	NAME	DATE	DWG. NO.
DRAWN	RAR	06-07-17	NCSMF-WS3-900-C5060
CHECKED			
ENGR APPR.			
	SIZE B	SCALE: 1:32	SHEET 1 OF 1

4

3

2

1