



Water Specialist 1.5" NPT or BSPT Motorized Alternating Valve



Certified to NSF/ANSI 61 and 372.

Order No. V3071 • NPT
Order No. V3071BSPT • BSPT

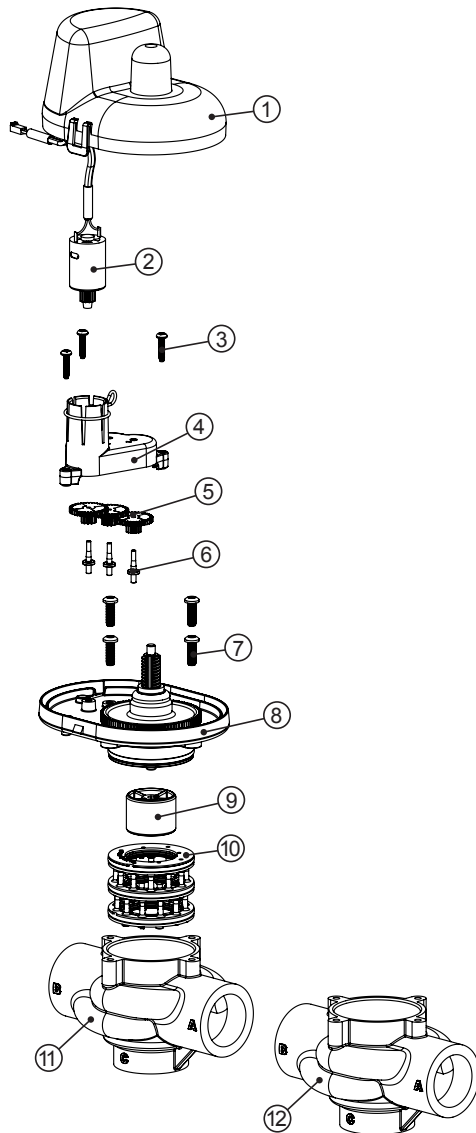
- 1.5" NPT or 1.5" BSPT Available
- Epoxy coated lead free brass valve body*
- Allows for two WS1.5 Valves to be a Twin Alternating System
- Full 1.5" ports with minimal pressure loss
- Provides for no raw water bypass during regeneration
- Provides choices of treated or non-treated water regeneration
- Proven and reliable Clack DC drive assembly
- Low voltage drive assembly controlled by valve's circuit board
- Flow from Port A to Common has a 3.74 PSI drop at 60 GPM
- Flow from Port B to Common has a 2.15 PSI drop at 60 GPM
- Hydraulically Balanced Piston Valve
- Patented Seal/Spacer Stack Assembly
- Operating Pressures:
20 PSI Minimum
125 PSI Maximum
- Operating Temperatures:
40°F Minimum
110°F Maximum



EXAMPLE OF A TWIN CONFIGURATION

Order No. V3071 • Description: MOTOR ALT VLV 1.5 NPT REV2
or
Order No. V3071BSPT • Description: MOTOR ALT VLV 1.5 BSPT REV2

| Drawing No. | Order No. | Description | Quantity | |
|-------------|--------------|--------------------------------|----------|-----------|
| | | | V3071 | V3071BSPT |
| 1 | V3073 | MAV/NOHWBY COVER ASY | 1 | 1 |
| 2 | V3476 | WS MOTOR ASY 8 FT | 1 | 1 |
| 3 | V3592 | SCREW #8-3/4 PHPN T-25 SS | 3 | 3 |
| 4 | V3262-01 | WS1.5&2ALT/2BY REDUCGEARCVRASY | 1 | 1 |
| 5 | V3110-01 | WS1 DRIVE REDUCING GEAR PLAIN | 3 | 3 |
| 6 | V3264 | WS2 BYPASS REDUCTION GEAR AXLE | 3 | 3 |
| 7 | V3527 | SCREW 1/4-20 X 3/4 BHSCS SS | 4 | 4 |
| 8 | V3072 | MAV/NOHWBY 1/125/15 DRIVE ASY | 1 | 1 |
| 9 | V3506-01 | MAV/NOHRD 1/125/15 PISTON | 1 | 1 |
| 10 | V3074 | MAV/NOHWBY 1/125/15 STACK ASY | 1 | 1 |
| 11 | V3525-01 | MAV BODY 1.5 NPT | 1 | N/A |
| 12 | V3525BSPT-01 | MAV BODY 1.5 BSPT | N/A | 1 |
| Not Shown | V3474 | WS ALT CONNECT CORD 8FT BLK | 1 | 1 |



•Operating Pressures:
20 PSI Minimum / 125 PSI Maximum
•Operating Temperatures:
40°F Minimum / 110°F Maximum

