

# METER SOFTENER

MODEL NO. 39/18NXT2-1200-C5060

**CAPACITY:**

MIN. 960,000 grs. @ 10 lbs./cu.ft.  
 MAX. 1,200,000 grs. @ 15 lbs./cu.ft.

**FLOW RATE:**

NORMAL 205 gpm.  
 PEAK 280 gpm.  
 BACKWASH 65 gpm.

TANK SIZE: 48" x 72"

COMPOSITE

**MEDIA:**

RESIN 40 cu.ft.  
 GRAVEL 900 lbs.

**PIPE SIZE:**

INLET 3"  
 OUTLET 3"  
 DRAIN 2"  
 BRINE 1"  
 METER 3"

BRINE TANK

MODEL NO. BT5060R-494-5

TANK SIZE: 50" x 60"

POLYETHYLENE

**CAPACITY:**

500 gals.  
 4,500 lbs./salt

BRINE VALVE: 494

BRINE WELL: 5"

**WEIGHT (APPROX)**

TOTAL SHIPPING 4,300 lbs.

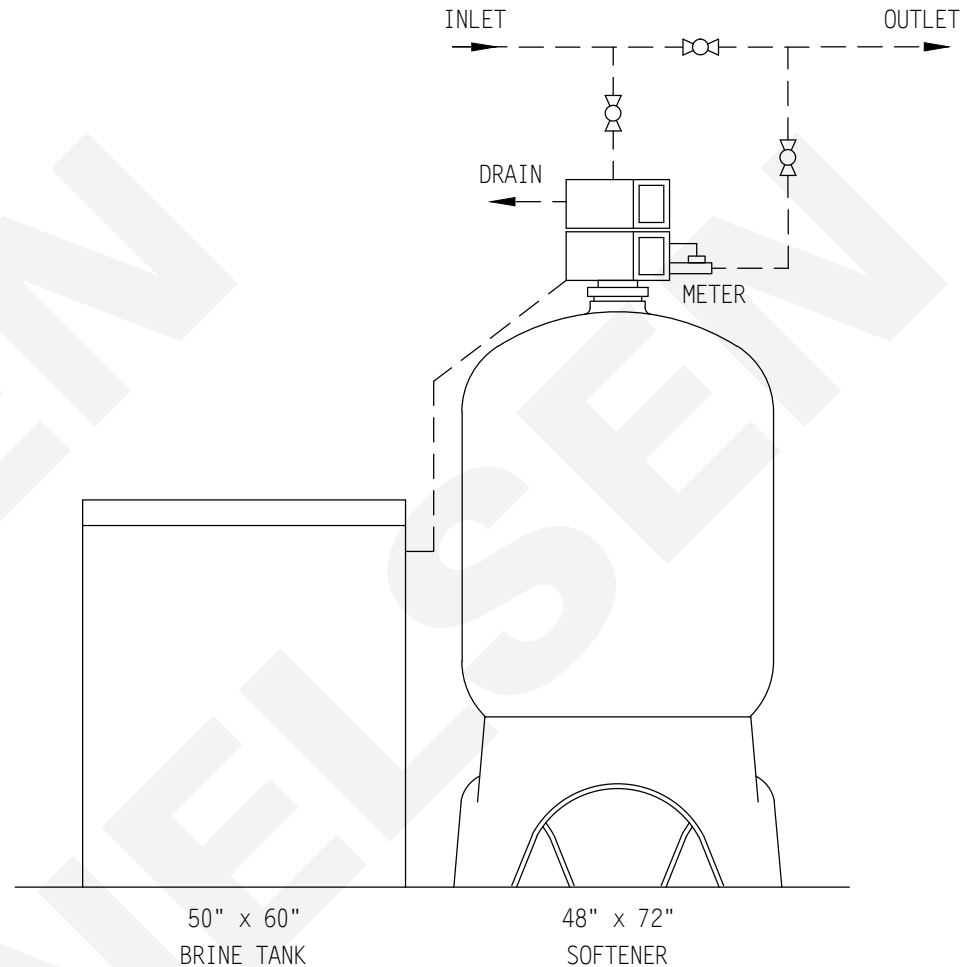
**NOTE:**

ALL DASHED PIPE, VALVES,  
 AND FITTINGS NOT PROVIDED  
 BY NELSEN CORPORATION.

**SPACE REQUIRED (APPROX)**


102"L x 50"W x 106"H

PEAK FLOWS ARE NOT  
 RECOMMENDED FOR EXTENDED  
 PERIODS OF TIME.



**DO NOT SCALE DRAWING**

THIS DRAWING IS ISSUED IN CONFIDENCE AND  
 CANNOT BE REPRODUCED OR USED TO  
 MANUFACTURE ANYTHING SHOWN OR REFERRED  
 TO WITHOUT DIRECT WRITTEN PERMISSION FROM  
 NELSEN CORPORATION.

		<b>NELSEN CORPORATION</b> OHIO • ARIZONA • TEXAS • FLORIDA 5151 PORTSIDE DRIVE - MEDINA, OH 44256 800-362-9686 NELSENCORP.COM/COMMERCIAL	
		GENERAL ARRANGEMENT DWG. SOFTENER 1200K COMPOSITE TANK SYSTEM 4-METER	
DRAWN BY: RAR DATE: 03-08-17 CHECKED BY: PAGE 1 OF 1	REV:	DWG. NO. <b>39/18NXT2-1200-C5060</b>	