

TWIN ALTERNATING SOFTENER

MODEL NO. 39/18NXT7-1200-C5060

CAPACITY: (each tank)

MIN. 960,000 grs. @ 10 lbs./cu.ft.

MAX. 1,200,000 grs. @ 15 lbs./cu.ft.

FLOW RATE: (each tank)

NORMAL 205 gpm.

PEAK 280 gpm.

BACKWASH 65 gpm.

TANK SIZE: 48" x 72"

COMPOSITE

MEDIA: (each tank)

RESIN 40 cu.ft.

GRAVEL 900 lbs.

PIPE SIZE:

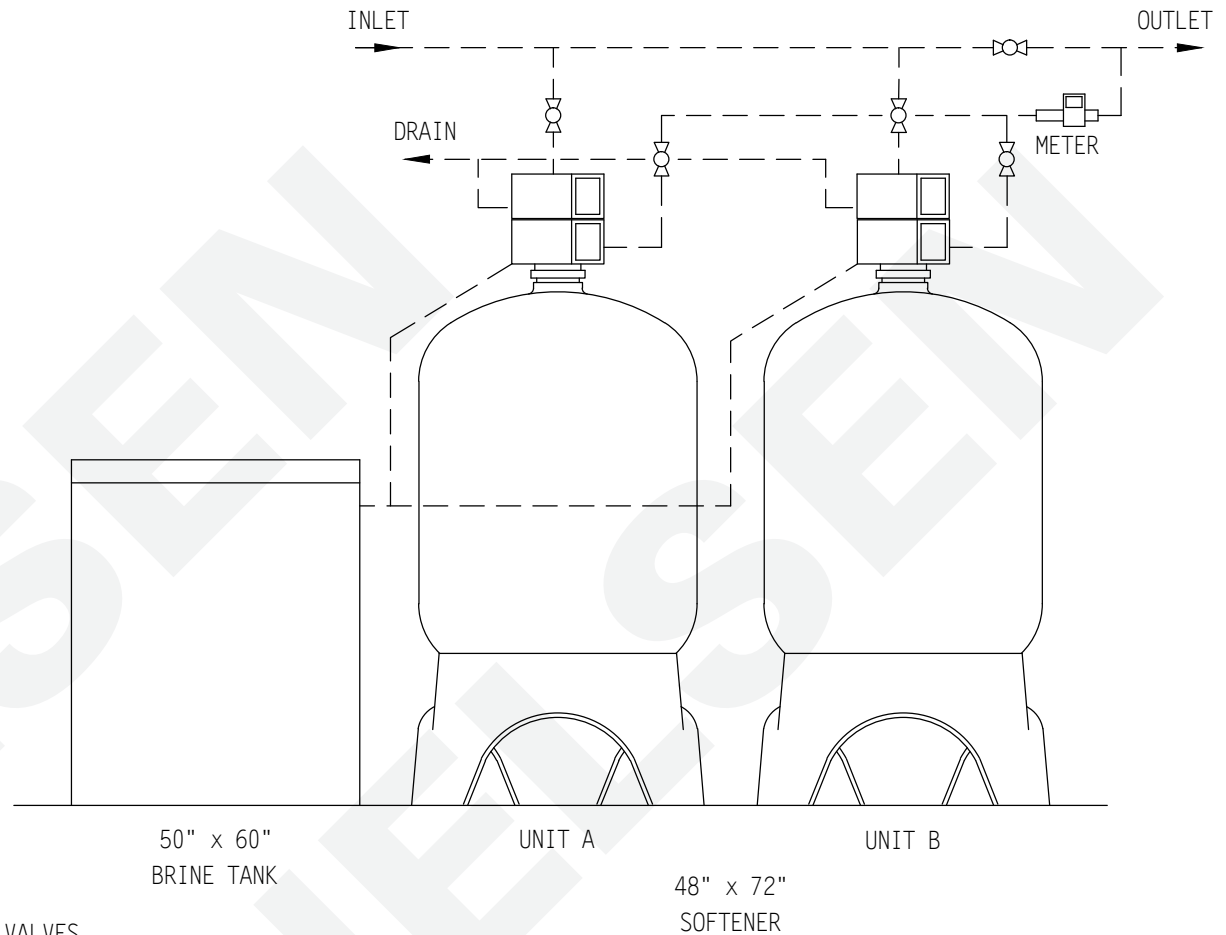
INLET 3"

OUTLET 3"

DRAIN 2"

BRINE 1"

METER 3"



BRINE TANK

MODEL NO. BT5060R-494-5

TANK SIZE: 50" x 60"

POLYETHYLENE

CAPACITY:

500 gals.

4,500 lbs./salt

BRINE VALVE: 494

BRINE WELL: 5"

WEIGHT (APPROX)

TOTAL SHIPPING 8,480 lbs.

NOTE:

ALL DASHED PIPE, VALVES, AND FITTINGS NOT PROVIDED BY NELSEN CORPORATION.


SPACE REQUIRED (APPROX)

154"L x 50"W x 106"H

PEAK FLOWS ARE NOT RECOMMENDED FOR EXTENDED PERIODS OF TIME.

DO NOT SCALE DRAWING

THIS DRAWING IS ISSUED IN CONFIDENCE AND CANNOT BE REPRODUCED OR USED TO MANUFACTURE ANYTHING SHOWN OR REFERRED TO WITHOUT DIRECT WRITTEN PERMISSION FROM NELSEN CORPORATION.

		NELSEN CORPORATION OHIO • ARIZONA • TEXAS • FLORIDA 5151 PORTSIDE DRIVE - MEDINA, OH 44256 800-362-9686 NELSENCORP.COM/COMMERCIAL	
		GENERAL ARRANGEMENT DWG. SOFTENER 1200K COMPOSITE TANK SYSTEM 7 ALTERNATING	
DRAWN BY: RAR DATE: 03-10-17 CHECKED BY: PAGE 1 OF 1	REV:	DWG. NO. 39/18NXT7-1200-C5060	