

# METER SOFTENER

MODEL NO. 29/17NXT2-120-C2441

**CAPACITY:**

MIN. 96,000 grs. @ 10 lbs./cu.ft.  
 MAX. 120,000 grs. @ 15 lbs./cu.ft.

**FLOW RATE:**

NORMAL 40 gpm.  
 PEAK 57 gpm.  
 BACKWASH 7 gpm.

TANK SIZE: 16" x 65"

COMPOSITE

**MEDIA:**

RESIN 4 cu.ft.  
 GRAVEL 75 lbs.

**PIPE SIZE:**

INLET 2"  
 OUTLET 2"  
 DRAIN 1"  
 BRINE 1/2"  
 METER 2"

**BRINE TANK**

MODEL NO. BT2441R-454-5

TANK SIZE: 24" x 41"

POLYETHYLENE

**CAPACITY:**

81 gals.  
 700 lbs./salt

BRINE VALVE: 454HF

BRINE WELL: 5"

**WEIGHT (APPROX)**

TOTAL SHIPPING 435 lbs.

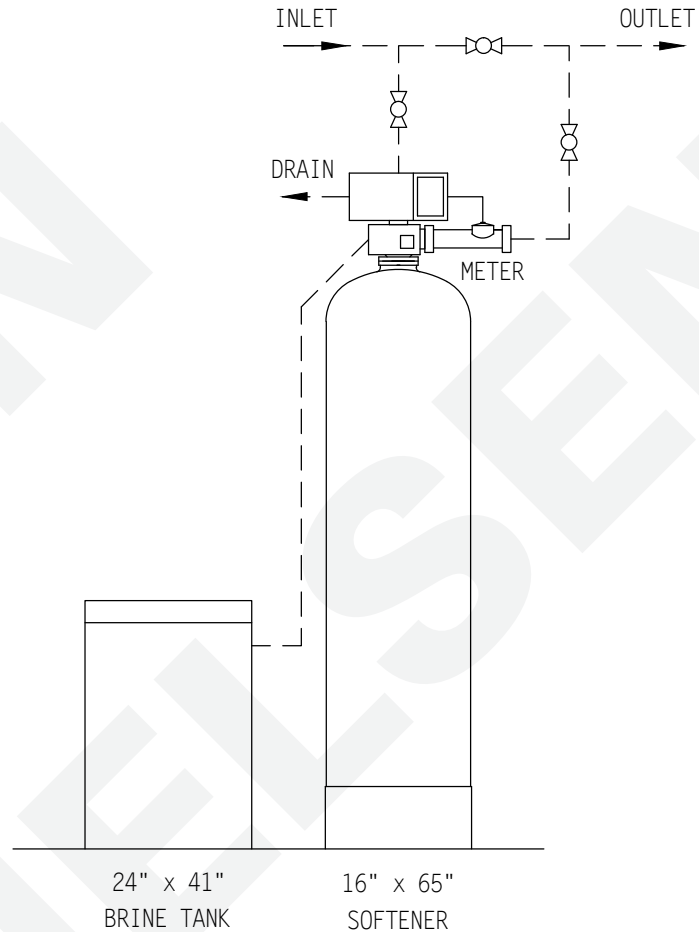
**NOTE:**

ALL DASHED PIPE, VALVES,  
 AND FITTINGS NOT PROVIDED  
 BY NELSEN CORPORATION.

**SPACE REQUIRED (APPROX)**

44"L x 24"W x 75"H

PEAK FLOWS ARE NOT  
 RECOMMENDED FOR EXTENDED  
 PERIODS OF TIME.



**DO NOT SCALE DRAWING**

THIS DRAWING IS ISSUED IN CONFIDENCE AND  
 CANNOT BE REPRODUCED OR USED TO  
 MANUFACTURE ANYTHING SHOWN OR REFERRED  
 TO WITHOUT DIRECT WRITTEN PERMISSION FROM  
 NELSEN CORPORATION.

		<b>NELSEN CORPORATION</b> OHIO • ARIZONA • TEXAS • FLORIDA 5151 PORTSIDE DR, MEDINA, OH 44256 800-362-9686 NELSENCORP.COM/COMMERCIAL	
		GENERAL ARRANGEMENT DWG. SOFTENER 120K COMPOSITE TANK SYSTEM 4-METER	
DRAWN BY: RAR	DATE: 03-01-17	DWG. NO. <b>29/17NXT2-120-C2441</b>	
CHECKED BY:	REV:		
PAGE 1 OF 1	REV:		