

METER SOFTENER

MODEL NO. 29/17NXT2-450-C3948

CAPACITY:

MIN. 360,000 grs. @ 10 lbs./cu.ft.
 MAX. 450,000 grs. @ 15 lbs./cu.ft.

FLOW RATE:

NORMAL 75 gpm.
 PEAK 140 gpm.
 BACKWASH 25 gpm.

TANK SIZE: 30" x 72"

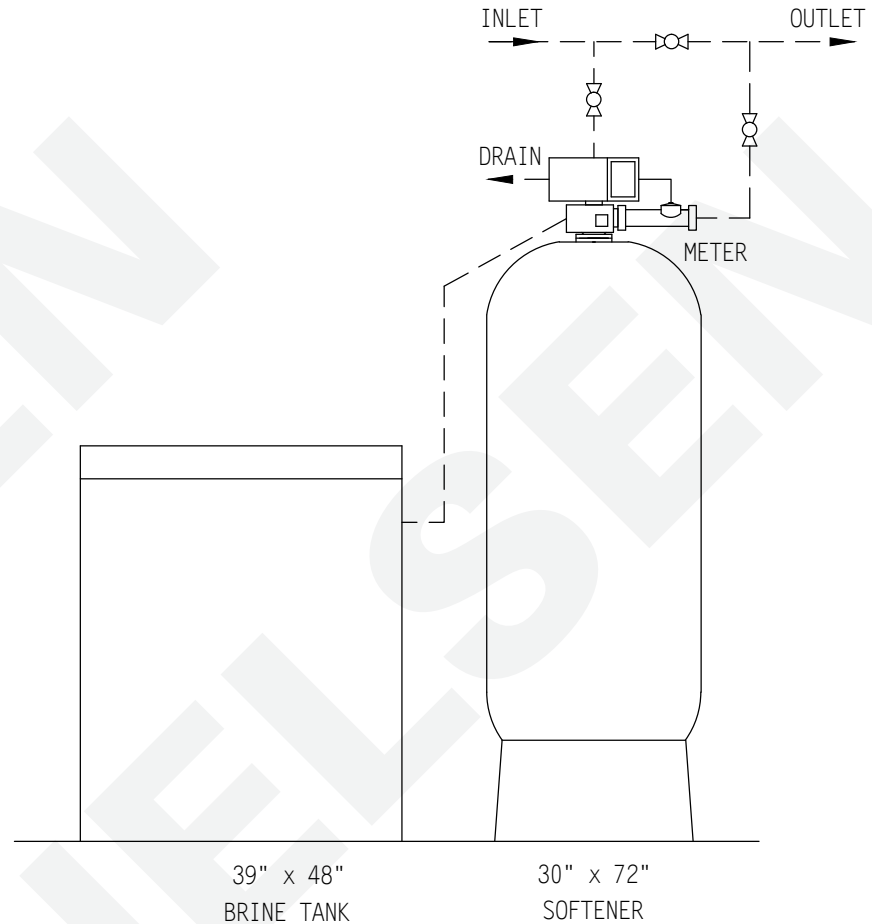
COMPOSITE

MEDIA:

RESIN 15 cu.ft.
 GRAVEL 350 lbs.

PIPE SIZE:

INLET 2"
 OUTLET 2"
 DRAIN 1"
 BRINE 1/2"
 METER 2"



BRINE TANK

MODEL NO. BT3948R-454HF-5

TANK SIZE: 39" x 48"

POLYETHYLENE

CAPACITY:

250 gals.
 2200 lbs./salt

BRINE VALVE: 454HF

BRINE WELL: 5"

WEIGHT (APPROX)

TOTAL SHIPPING 1,580 lbs.

NOTE:

ALL DASHED PIPE, VALVES,
 AND FITTINGS NOT PROVIDED
 BY NELSEN CORPORATION.


SPACE REQUIRED (APPROX)

73"L x 39"W x 88"H

PEAK FLOWS ARE NOT
 RECOMMENDED FOR EXTENDED
 PERIODS OF TIME.

DO NOT SCALE DRAWING

THIS DRAWING IS ISSUED IN CONFIDENCE AND
 CANNOT BE REPRODUCED OR USED TO
 MANUFACTURE ANYTHING SHOWN OR REFERRED
 TO WITHOUT DIRECT WRITTEN PERMISSION FROM
 NELSEN CORPORATION.

		NELSEN CORPORATION OHIO • ARIZONA • TEXAS • FLORIDA 5151 PORTSIDE DR, MEDINA, OH 44256 800-362-9686 NELSENCORP.COM/COMMERCIAL	
		GENERAL ARRANGEMENT DWG. SOFTENER 450K COMPOSITE TANK SYSTEM 4-METER	
DRAWN BY: RAR DATE: 03-01-17 CHECKED BY: PAGE 1 OF 1	REV:	DWG. NO. 29/17NXT2-450-C3948	